

# SUSPENSION

## REAR SUB - FRAME MOUNTING - FRONT

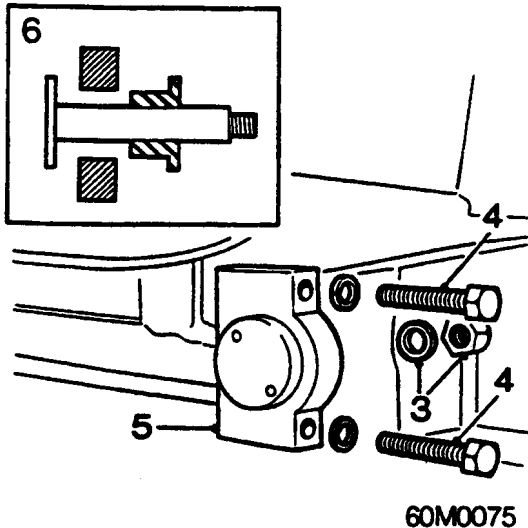
Service Repair No. 68.40.08.

### Remove

1. Raise rear of vehicle, one side.

**WARNING: Support on safety stands.**

2. Remove radius arm assembly, see **Radius arm pivot bearings.**



3. Remove locknut and plain washer securing support pin to sub - frame.
4. Remove 2 bolts securing trunnion to body.
5. Lever sub - frame downwards and remove trunnion assembly.
6. Withdraw the support pin and extract bushes from trunnion.

### Refit

1. Fit bushes to trunnion.
2. Fit support pin to trunnion assembly.
3. Fit bolts, trunnion to body.

**Note: The step in trunnion and the short trunnion to body bolt are at the top.**

4. Fit locknut and plain washer securing support pin to sub - frame.
5. Refit radius arm assembly, see **Radius arm pivot bearings.**
6. Remove stand(s) and lower vehicle.

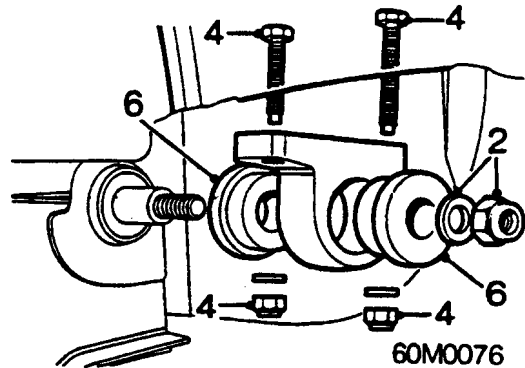
## REAR SUB - FRAME MOUNTING - REAR

Service Repair No. 68.40.09.

### Remove

1. Raise rear of vehicle, one side.

**WARNING: Support on safety stands.**



2. Remove locknut and plain washer securing trunnion to sub - frame.
3. *Left hand mounting:* Remove fuel tank, see **FUEL DELIVERY SYSTEM.**
4. Remove 2 locknuts, plain washers and bolts securing trunnion to body floor.
5. Lever sub - frame away from body and remove trunnion assembly.
6. Extract bushes from trunnion.

### Refit

1. Fit bushes to trunnion.
2. Fit nuts and bolts, trunnion to body floor.

**Note: The step in trunnion and short trunnion to body bolt are at the front.**

3. Fit locknut and plain washer securing trunnion to sub - frame.
4. *Left hand mounting:* Refit fuel tank, see **FUEL DELIVERY SYSTEM.**
5. Remove stand(s) and lower vehicle.